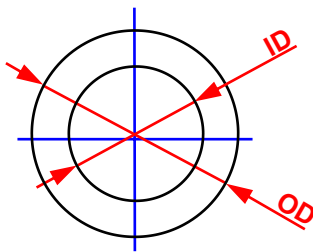


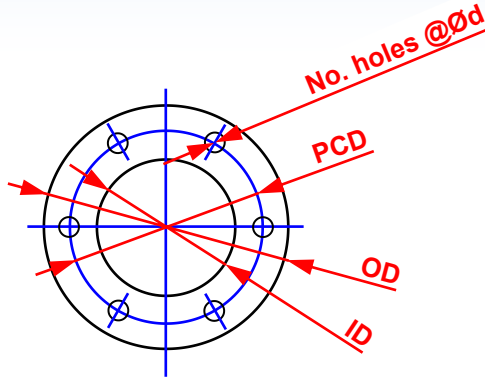
# GASKETS

## DIMENSION SPECIFICATION SHEET

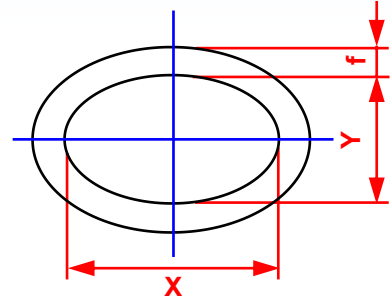
Standard dimensions required when manufacturing Gaskets.



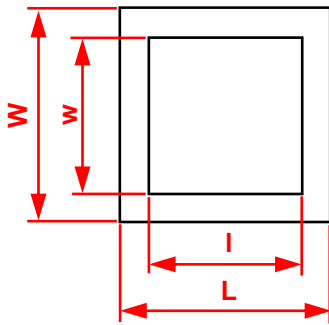
Ring Gasket for Raised Face Flanges  
(also known as Ring Joints)



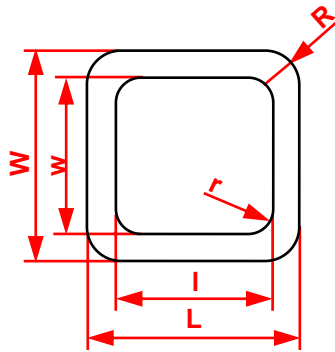
Full Face Gaskets



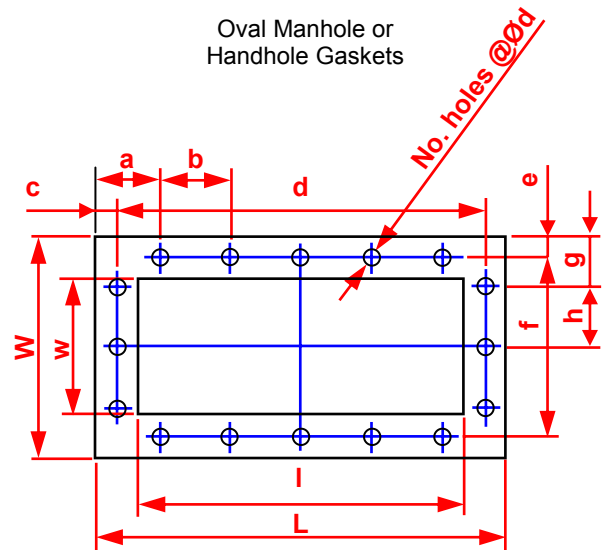
Oval Manhole or Handhole Gaskets



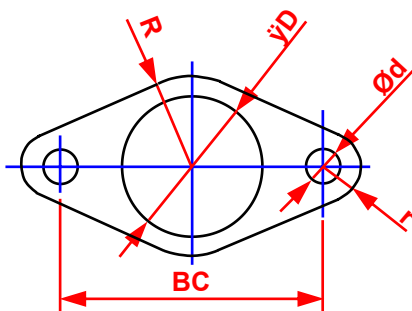
Square Gaskets



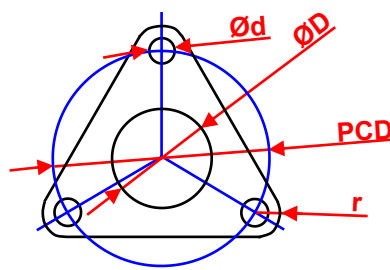
Square Gaskets with Radius Corners



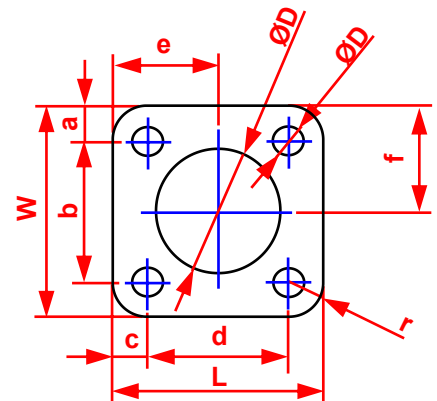
Rectangular Gaskets



Manifold Gasket - 2 Bolt Flange



Manifold Gasket - 3 Bolt Flange



Manifold Gasket - 4 Bolt Flange

### LEGEND

OD: Outside Diameter -	BC: Bolt Circle -
ID: Inside Diameter -	A,b,...w: Spec. dimension -
R/r: Radius -	X: X axis dimension -
PCD: Pitch Circle Diameter -	Y: Y axis dimension -
Ød: Hole Diameter -	T: Thickness -

All information in this publication is based upon tests carried out by Tucks testing authorities or other suppliers. This information is believed to be correct at the time of printing. It is not possible, however, for Tucks to guarantee complete accuracy. Tucks requires that users establish the suitability of all products for their application and assume all risks.



7 Central Blvd, Port Melbourne,  
Vic 3207, Australia  
Tel No. +61 3 9690 2577  
Email: sales@tucks.com.au

[www.tucks.com.au](http://www.tucks.com.au)